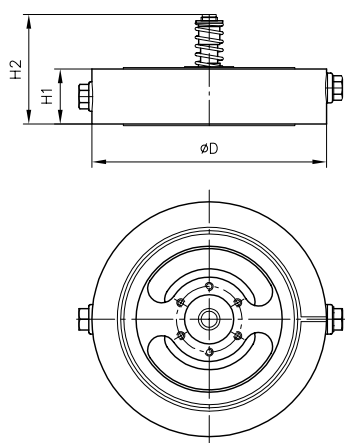
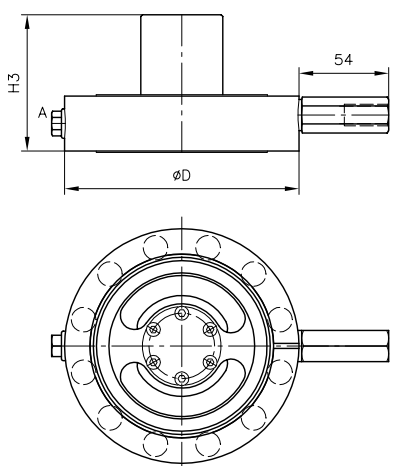


General parameters and dimensions

Check valve



Pre-fill valve



Basic type and size		Q_{\max} [lpm]	p_{\max} [bar]	Release ratio	Dimensions [mm]				m [kg]	
Check valve	Pre-fill valve				p_A / p_Z	D	H1	H2	H3	Check valve
F 25	F 25-12	100	400	4.3	83	26	36	43	1	1.1
F 32	F 32-16	160		3.6	93	27	45	55	1	1.2
F 40	F 40-20	250		3.9	108	28	48.5	60	1.4	1.7
F 50	F 50-25	400		4.2	128	29	59	72	2	2.4
F 63	F 63(B)-30	630		4.2	143	33.5	69	83	2.8	3.4
F 64	F 64-30	760		4,2	143	33,5	69	83	2,8	3,4
F 80	F 80(B)-36	1000		4.5	169	38.5	83	97.5	4.4	5.2
F 81	F 81-36	1200		4,5	169	38,5	83	97,5	4,4	5,2
F 100	F 100(B)-45	1600		4.3	212	44	97	118	9.9	11.7
F 101	F 101-45	1920		4,3	212	44	97	118	9,9	11,7
F 125	F 125(B)-60	2500		4.3	248	51	127	155	15.8	19.6
F 160	F 160-76	4000	4.3	310	70	182	233	43	50	
F 200	F 200-100	7000	320	4.0	420	150	250	300	114	120

Associated technical data sheets:

- Check valve and pre-fill valve type F: D 6960